



Electrochemical Carbon Monoxide Gas Sensor (Model: ME3-CO)

Manual

Version 1.2
Valid from May 1st 2014

Zhengzhou Winsen Electronics Technology Co., Ltd

ME3-CO Carbon Monoxide Gas Sensor

ME3-CO electrochemical sensor detect gas concentration by measuring current based on the electrochemical principle, which utilizes the electrochemical oxidation process of target gas on the working electrode inside the electrolytic cell, the current produced in electrochemical reaction of the target gas are in direct proportion with its concentration while following Faraday law, then concentration of the gas could be get by measuring value of current.

1.Features

- * Low consumption
- * High precision
- * High sensitivity
- * Wide linear range
- * Good anti-interference ability
- * Excellent repeatability and stability



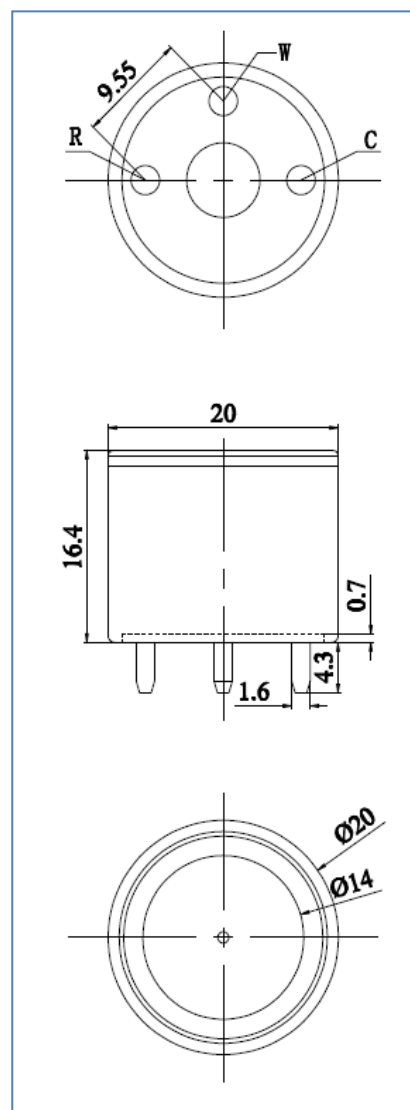
2 Application

Widely used in industrial and environmental protection fields

3. Technical Parameter

Item	Parameter
Detection gas	Carbon Monoxide(CO)
Measurement Range	0~1000ppm
Max detecting concentration	2000ppm
Sensitivity	(0.070±0.015) μA/ppm
Resolution ratio	0.5ppm
Response time (T ₉₀)	<20S
Bias voltage	0mV
Load resistance (recommend)	10Ω
Repeatability	<2% output value
Stability (/ month)	<5%
Output Linearity	linear
Zero drift (-20℃~40℃)	10ppm
Storage temperature	-20℃~50℃
Storage Humidity	15%~90% RH
Pressure range	Standard atmospheric pressure ±10%
Anticipated using life	3 years(in air)

4. External dimension



Basic Circuit

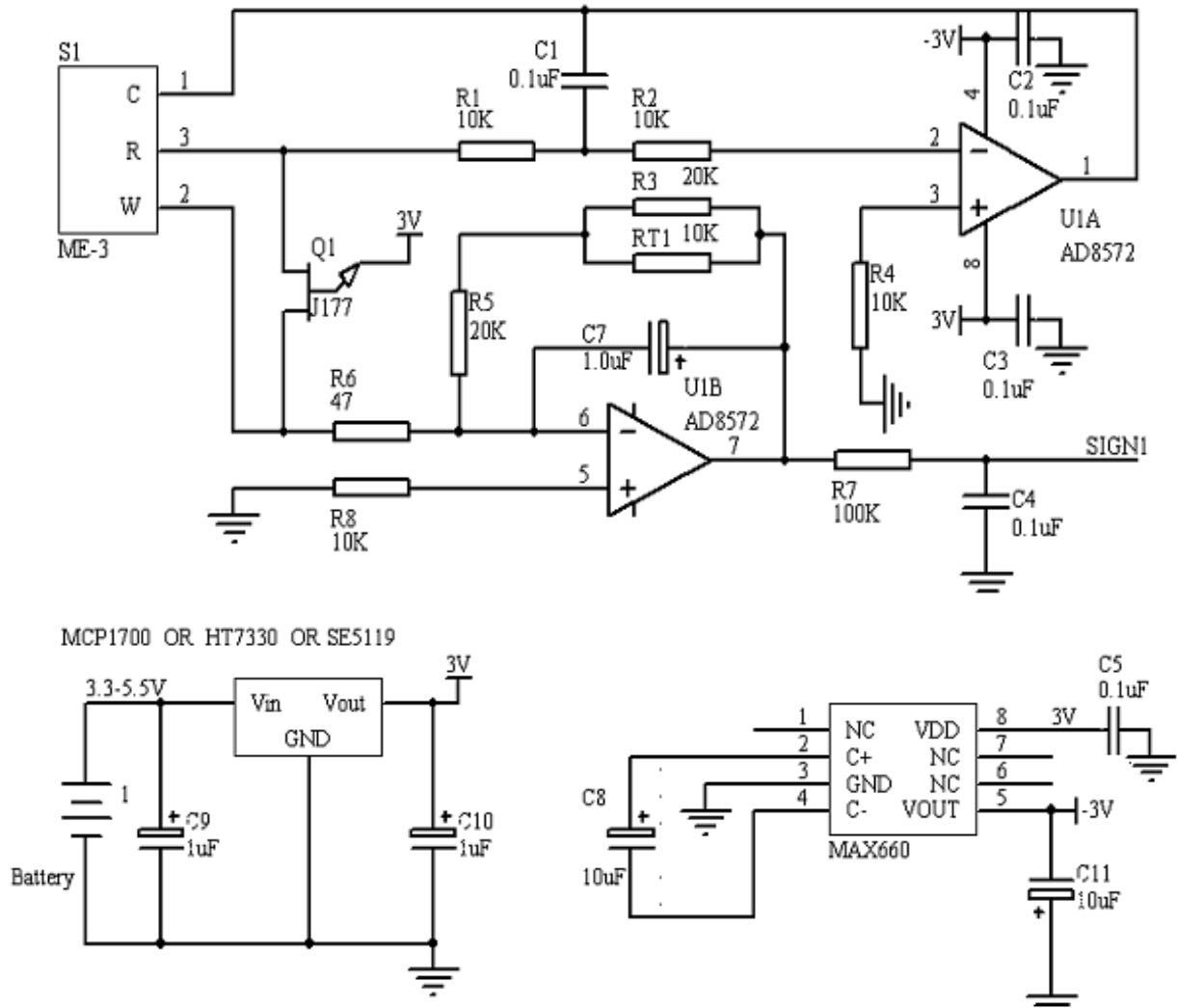


Fig2: ME3-CO test circuit

Description of sensor characters

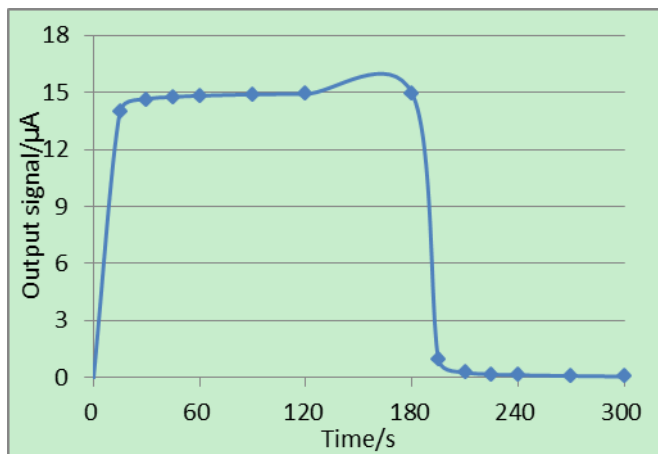


Fig3. Response and Resume

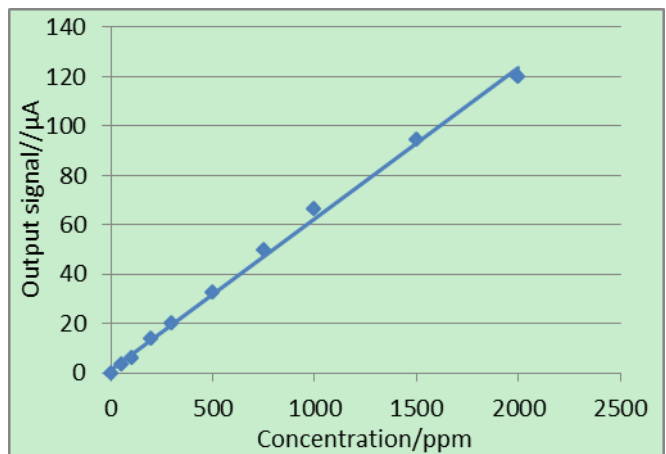


Fig4.Linearity

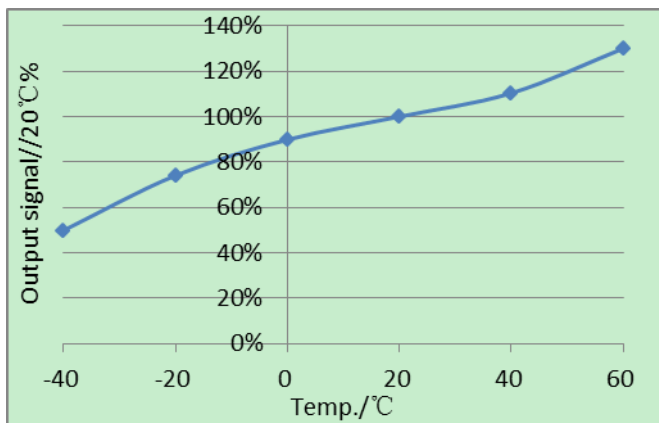


Fig5.Output of sensor at different temperature

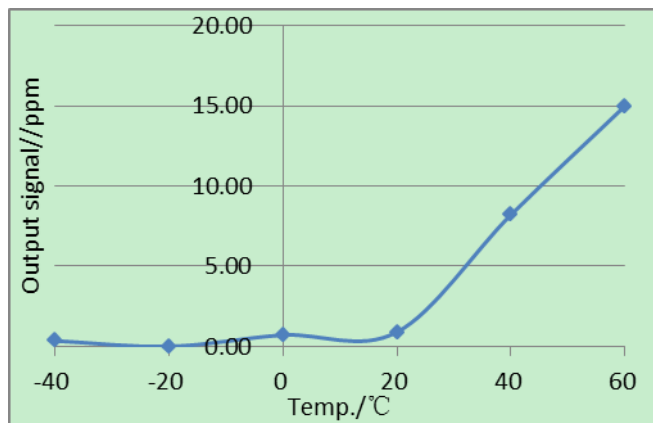


Fig6.Zero output of sensor at different temperature

7.Anti-Interference:

ME3-CO sensor also responds to other gases besides target gas. Below are the response characteristics of interferential gases

Gas	Concentration	ME3-CO
H2S	100ppm	0ppm
SO2	20ppm	0ppm
H2	200ppm	100ppm
C2H4	100ppm	100ppm
NO	35ppm	9ppm
NO2	5ppm	2ppm

8.Application Notes:

- Sensor shall Avoid organic solvent, coatings, medicine, oil and high concentration gases;
- All ME Sensors shall not be encapsulated completely by resin materials, and shall not immerse in pure oxygen environment, otherwise, it will damage the function of sensor;
- All ME sensors shall not be applied in corrosive gas environment, or the sensor will be damaged;
- Please test the sensitivity of gas sensors in clean atmosphere;
- Sensors Shall be avoided to face the gas, which flow directly from front side;
- To avoid to bend and break of pins;
- Blowhole of the sensor should not be blocked and polluted, which will cause the sensitivity decrease;
- Excessive impact or vibration should be avoided;
- Do not use the sensor when the shell is damaged;

- It takes some time for the sensor to return to normal state After applied in high concentration gas;
- Do not take apart the sensor, otherwise electrolyte leakage can cause sensor damage;
- Working electrode and reference electrode of the sensor shall be in short circuit when stored.;
- To preheat over 48hs before using and soldering forbidden;

Note: To keep continual product development, we reserve right to change design features without prior notice !

Zhengzhou Winsen Electronics Technology Co., Ltd

Add.: NO.299 Jin Suo Road, National Hi-Tech Zone,
Zhengzhou, 450001 China

Tel.: 0086-371-67169097/67169670

Fax:0371-60932988

E-mail:sales@winsensor.com